



PROJECT		REF		REV	ITEM CODE	
LOCATION		DATE			PAGE	

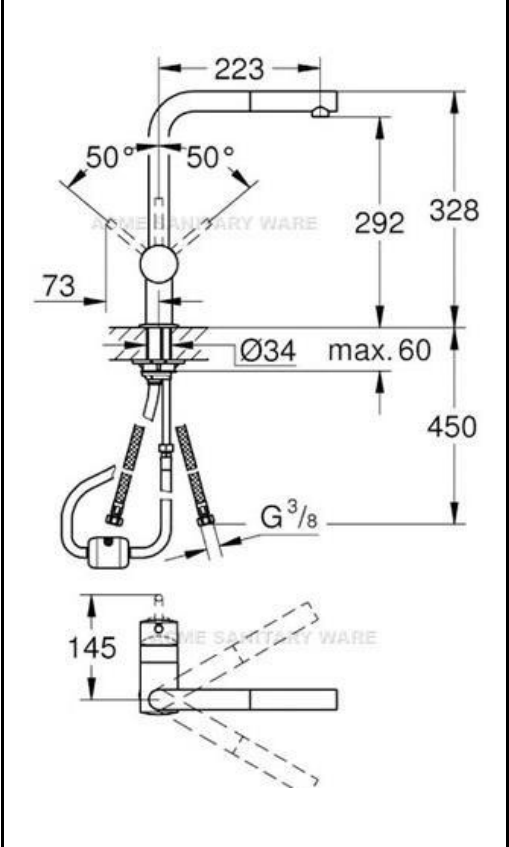
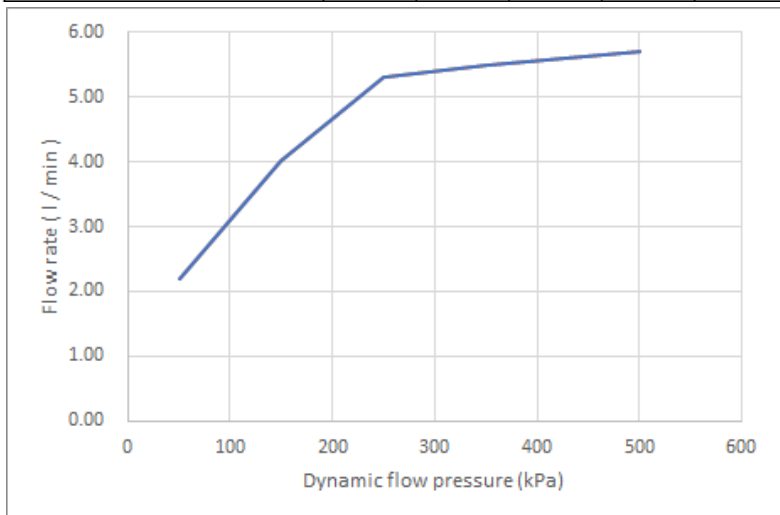
SANITARY WARE SPECIFICATION SHEET

Item Descriptions	GROHE (Germany) "Minta" single lever mixer with supersteel finish and pull out mousseur spout; nominated flow rate 4.9 l/min in WELS Grade 1 ; Registration No. TM 18-0085
Dimensions	L223 x W145 x H328 mm
Model	32168DC0 + 64647040
Colour	Supersteel
Manufacturer	GROHE Limited
Country of Origin	Portugal
Supplier	Acme Sanitary Ware Co. Ltd Mr. Eric Wong/ Mr. Don Yuen
Contact Tel/Fax	(852) 2388-7171 / (852) 2710-8012
E-mail	acme@acmesanitary.com.hk
Website	www.acmesanitary.com.hk

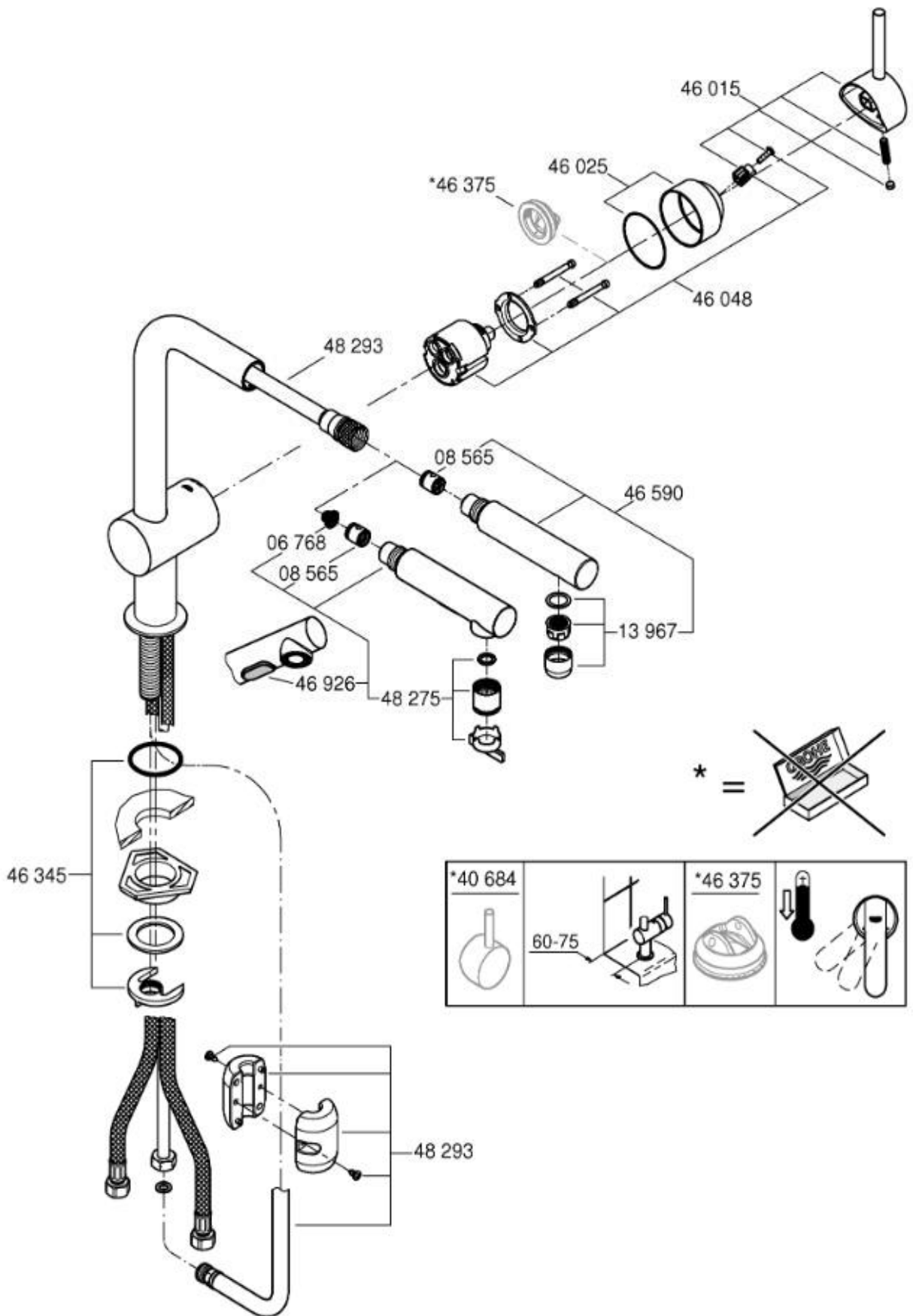


- Minta**
Single-lever sink mixer 1/2"
- L-spout
 - single hole installation
 - GROHE StarLight finish
 - GROHE SilkMove 46 mm ceramic cartridge
 - pull out mousseur spout
- adjustable flow rate limiter
 - swivel tubular spout
 - swivel area 360°
 - integrated non-return valve
 - protected against backflow
 - flexible connection hoses
 - rapid installation system

Dynamic flow pressure (kPa)	50	150	250	350	500
Flow rate (l / min)	2.20	4.03	5.30	5.50	5.70



* All information of the above is for the reference only. No prior notice is made if any changes.



註冊號碼 (Registration No.): TM 18-0085



自願參與用水效益標籤計劃 - 水龍頭 Voluntary Water Efficiency Labelling Scheme - Water Taps



茲證明

This is to certify that

將下列水龍頭在本計劃內註冊：
has registered the following water tap under this scheme :

- 牌子 / Brand : GROHE
- 型號 / Model : 32168XXX + 64647040
- 種類 / Type : Mixing
- 原產地 / Country or Region Origin : Portugal

在用水效益標籤上展示的標誌 <i>Symbolic Presentation on the Water Efficiency Label</i>	:		滴水點 <i>Water droplet(s)</i>
用水效益級別 <i>Water Efficiency Grade</i>	:	1	
耗水量 <i>Water Consumption</i>	:	4.9	公升/分鐘 <i>litres/minute</i>

簽發日期：
Date of Issue: 4 May 2018

水務署
Water Supplies Department



水務署署長(周世威代行)
for Director of Water Supplies



水務署
Water Supplies Department

總部 Headquarters
香港灣仔告士打道七號入境事務大樓 48 樓
48/F Immigration Tower, 7 Gloucester Road, Wan Chai, Hong Kong

本署檔號
Our ref.
來函檔號
Your ref.



/2023 T/J(109/2023)

電話
Tel. :
傳真
Fax. : 2824 0578

10 August 2023



**Approval of "GROHE" Sink Mixer
(General Acceptance No. C20230590)**

Your letter ref. WRC/2839 dated 10 February 2023 and subsequent submissions received by this department up to 20 July 2023 refer.

Having considered the test reports ref. 222320PC220255D and 202535EN221835B issued on 12 July 2023 and 26 June 2023 respectively by Fugro Technical Services Ltd. and WRAS certificate, this Authority accepts that the fitting described below complies with, and its use when correctly installed does not contravene, the Waterworks Ordinance and Regulations.

Name of Manufacturer: Grohe AG

Country of Origin: Portugal

Brand: Grohe

Details of Fitting: 3/8" Single lever sink mixer with
1. 1 no. of flexible hose ref. 202535EN221835B
2. 1 no. of flexible hose approved by UK's WRAS ref. 2110370

Model: 32168XXX
(where "XXX" denotes the code of colour)



Body Markings:



Expiry Date:

31 October 2026

This Authority hereby permits the use of the above fitting in fresh water plumbing systems subject to full adherence to Waterworks installation requirements. In particular, you are required to draw your customers' attention to the following requirement-

“The cold water supply to the fitting shall be drawn from the same source that supplies the hot water apparatus so as to provide a balanced pressure and to obviate the risk of scalding in the event of a restriction or failure in the water supply.”

A condition of this acceptance is that the fitting to be installed shall be replicas of the sample as certified by the testing agent mentioned above and without modifications. This acceptance may be withdrawn at any time if the standard of the fitting installed fails to meet that of the approved sample or if the fitting is found to be unsuitable for use in fresh water plumbing systems.

This acceptance is only applicable to the main body of the fitting, unless otherwise specified.

For the use of the fitting in any project, the General Acceptance Number of this letter must be quoted as a means of identification of acceptance of the fitting by this Authority.

Should you have any enquiries, please contact our Engineer Ms Winnie LO at tel. no. 3583 4086.

Yours faithfully,

(YAU Hau Yin)

for Director of Water Supplies

Encl.

c.c. WSD 3321/1/82] - without catalogue
ME/MC] - with soft copy only